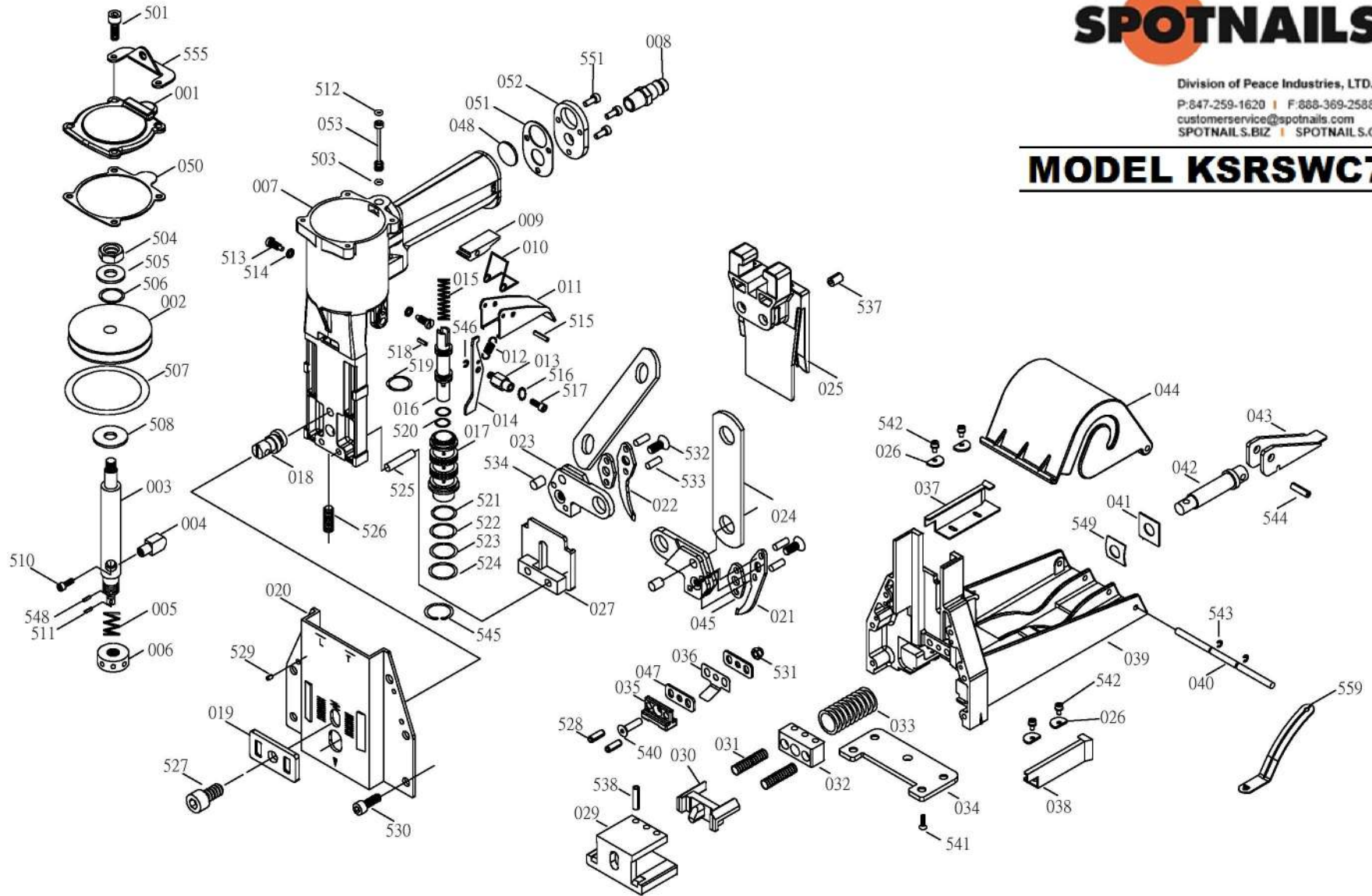




Division of Peace Industries, LTD.
P: 847-259-1620 | F: 888-369-2588
customerservice@spotnails.com
SPOTNAILS.BIZ | SPOTNAILS.COM

MODEL KRSWC7437



2020/07/14
Rev. 2023/06/20

SPOTNAILS MODEL KRSWC7437

Ref No.	Part No.	Description
001	P-60202	CAP
002	P-66118	PISTON
003	P-16021	PISTON ROD
004	P-96141	BLOCK
005	P-18501	SPRING
006	P-96142	COLLAR
007	P-01289	BODY
008	P-30119	COUPLING PLUG
009	P-96143	BLOCK
010	P-18502	SPRING
011	P-21090	TRIGGER
012	P-18503	SPRING
013	P-16018	ROD
014	P-21091	TRIGGER'S CONTROL
015	P-18504	SPRING
016	P-22205	PLUNGER
017	P-22203	VALVE BODY
018	P-16019	ADJUSTING ROD
019	P-96144	ADJUSTING PLATE
020	P-10325	FRONT PLATE
021	P-31094	RIGHT ANVIL
022	P-31095	LEFT ANVIL
023	P-31066	ANVIL HOLDER (2)
024	P-31067	ANVIL LINK (2)
025	P-06299	DRIVER
027	P-06300	DRIVER GUIDE
029	P-31046	ANVIL
030	P-09245	PUSHER
031	P-18509	SPRING (2)
032	P-31069	ANVIL CAP
033	P-18510	SPRING
034	P-96171	PLATE

Ref No.	Part No.	Description
035	P-96170	TOP GUIDE
036	P-18508	SPRING
037	P-96189	RIGHT COIL GUIDE
038	P-96190	LEFT COIL GUIDE
039	P-12526	MAGAZINE
040	P-16023	SHAFT
041	P-32300	WASHER
042	P-16022	SHAFT
043	P-21092	RELEASE LEVER
044	P-12525	COVER
045	P-96169	PLATE (2)
047	P-32257	WASHER (2)
048	P-96161	SILENCER
050	P-62086	GASKET
051	P-62067	GASKET
052	P-12524	COVER
053	P-46186	SHAFT
501	P-24533	SCREW (4)
503	P-64577	O-RING
504	P-26180	HEX.NUT
505	P-32248	WASHER
506	P-64505	O-RING
507	P-64513	O-RING
508	P-32249	WASHER
510	P-24534	HEX.SOC.HD.BOLT
511	P-07406	SPRING PIN
512	P-64600	O-RING
513	P-24595	TRIGGER SCREW (2)
514	P-32250	SPRING WASHER (2)
515	P-07407	SPRING PIN
516	P-32251	WASHER
517	P-24538	SCREW

Ref No.	Part No.	Description
518	P-07400	SPRING PIN
519	P-64504	O-RING
520	P-64505	O-RING (2)
521	P-64506	O-RING
522	P-64507	O-RING
523	P-64508	O-RING
524	P-64509	O-RING
525	P-96163	ROD (2)
526	P-24527	SCREW
527	P-24531	SCREW
528	P-07411	SPRING PIN (2)
529	P-07400	SPRING PIN (4)
530	P-24543	SCREW (6)
531	P-26181	LOCK NUT
532	P-24621	SCREW (2)
533	P-07401	PIN (4)
534	P-07402	PIN (2)
537	P-07412	SPRING PIN (2)
538	P-07410	SPRING PIN (3)
540	P-24544	SCREW
541	P-24545	SCREW (4)
542	P-24546	SCREW (4)
543	P-32260	E-RING (2)
544	P-07413	SPRING PIN
545	P-32254	C-RING
546	P-32253	E-RING
548	P-07409	PLASTIC PIN
549	P-32259	WAVE WASHER
551	P-24542	SCREW (3)
555	P-97495	TOOL HANGER
559	P-97491	STAPLE REMOVER

◆ AS-97394 O-RING & SEAL KIT