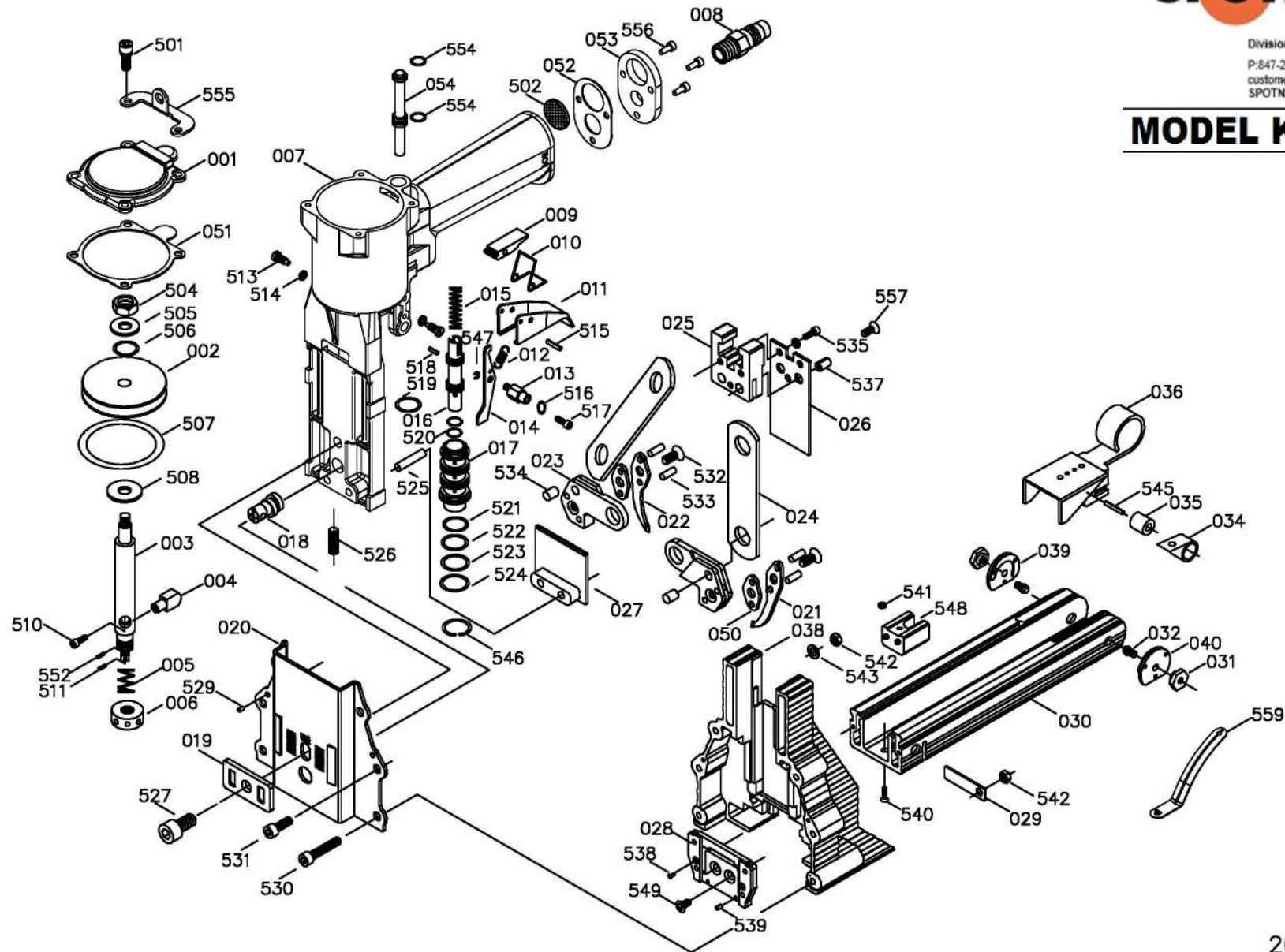




Division of Peace Industries, LTD.  
P:847-259-1620 | F:888-369-2588  
customerservice@spotnails.com  
SPOTNAILS.BIZ | SPOTNAILS.COM

# MODEL KSC3219C



2020/07/14  
Rev.2023/06/20

## SPOTNAILS MODEL KSC3219C

| Ref No. | Part No. | Description       |
|---------|----------|-------------------|
| 001     | P-60198  | Cap               |
| 002     | P-66116  | Piston            |
| 003     | P-16017  | Piston Rod        |
| 004     | P-96141  | Block             |
| 005     | P-18501  | Spring            |
| 006     | P-96142  | Collar            |
| 007     | P-01286  | Body              |
| 008     | P-30119  | Coupling Plug     |
| 009     | P-96143  | Block             |
| 010     | P-18502  | Spring            |
| 011     | P-21090  | Trigger           |
| 012     | P-18503  | Spring            |
| 013     | P-16018  | Rod               |
| 014     | P-21091  | Trigger Controll  |
| 015     | P-18504  | Spring            |
| 016     | P-22205  | Plunger           |
| 017     | P-22203  | Valve Body        |
| 018     | P-16019  | Adjusting Rod     |
| 019     | P-96144  | Adjusting Plate   |
| 020     | P-10322  | Front Plate       |
| 021     | P-31064  | Right Anvil       |
| 022     | P-31065  | Left Anvil        |
| 023     | P-31066  | Anvil Holder (2)  |
| 024     | P-31067  | Anvil Link (2)    |
| 025     | P-96145  | Block             |
| 026     | P-06267  | Driver            |
| 027     | P-96147  | Cover Unit        |
| 028     | P-96150  | Driver Guide Unit |
| 029     | P-96153  | Plate (2)         |
| 030     | P-12518  | Magazine          |
| 031     | P-26176  | Rod Nut (2)       |
| 032     | P-96154  | Rod (2)           |

| Ref No. | Part No. | Description              |
|---------|----------|--------------------------|
| 034     | P-18507  | Spring                   |
| 035     | P-96157  | Roller                   |
| 036     | P-09225  | Pusher Unit              |
| 038     | P-12520  | Magazine Seat            |
| 039     | P-96155  | Right Pusher Guide       |
| 040     | P-96156  | Left Pusher Guide        |
| 050     | P-32246  | Washer (2)               |
| 051     | P-62083  | Gasket                   |
| 052     | P-62087  | Gasket                   |
| 053     | P-12524  | Cover                    |
| 054     | P-96166  | Valve Stem               |
| 501     | P-24533  | Hex Socket Head Bolt (4) |
| 502     | P-96161  | Silencer                 |
| 504     | P-26180  | Hex Nut                  |
| 505     | P-32248  | Washer                   |
| 506     | P-64505  | O-Ring                   |
| 507     | P-64503  | O-Ring                   |
| 508     | P-32249  | Washer                   |
| 509     | P-32250  | Spring Washer            |
| 510     | P-24534  | Hex Socket Head Bolt     |
| 511     | P-07406  | Spring Pin               |
| 513     | P-24595  | Trigger Screw (2)        |
| 514     | P-32250  | Spring Washer (2)        |
| 515     | P-07407  | Spring Pin               |
| 516     | P-32251  | Washer                   |
| 517     | P-24538  | Hex Socket Head Bolt     |
| 518     | P-07400  | Spring Pin               |
| 519     | P-64504  | O-Ring                   |
| 520     | P-64505  | O-Ring (2)               |
| 521     | P-64506  | O-Ring                   |
| 522     | P-64507  | O-Ring                   |

| Ref No. | Part No. | Description                      |
|---------|----------|----------------------------------|
| 523     | P-64508  | O-Ring                           |
| 524     | P-64509  | O-Ring                           |
| 525     | P-96163  | Rod (2)                          |
| 526     | P-24527  | Hex Socket Set Screw             |
| 527     | P-24531  | Hex Socket Head Bolt             |
| 528     | P-32252  | Spring Washer                    |
| 529     | P-07400  | Spring Pin (4)                   |
| 530     | P-24529  | Hex Socket Head Bolt (2)         |
| 531     | P-24530  | Hex Socket Head Bolt (4)         |
| 532     | P-24532  | Flat Head Cap Screw (2)          |
| 533     | P-07401  | Pin (4)                          |
| 534     | P-07402  | Pin (2)                          |
| 535     | P-24524  | Hex Socket Head Bolt (2)         |
| 537     | P-07403  | Spring Pin (2)                   |
| 538     | P-24535  | Phillips Flat Head Cap Screw (2) |
| 539     | P-07404  | Spring Pin (2)                   |
| 540     | P-24536  | Flat Head Cap Screw              |
| 541     | P-26178  | Locknut                          |
| 542     | P-26179  | Locknut (6)                      |
| 543     | P-32247  | Washer (4)                       |
| 545     | P-07405  | Spring Pin                       |
| 546     | P-32253  | C-Ring                           |
| 547     | P-32254  | E-Ring                           |
| 548     | P-96162  | Bracket                          |
| 549     | P-24537  | Flat Head Cap Screw (2)          |
| 552     | P-07409  | Plastic Pin                      |
| 554     | P-64511  | O-Ring (2)                       |
| 555     | P-96164  | Tool Hanger                      |
| 556     | P-24542  | Flat Head Cap Screw (3)          |
| 557     | P-24539  | Flat Head Cap Screw              |
| 559     | P-97491  | Staple Remover                   |

◆ Parts Included in AS-97324 O-Ring And Seal Kit